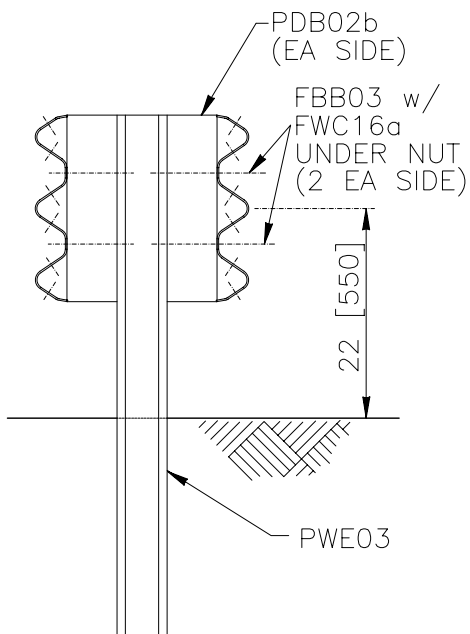
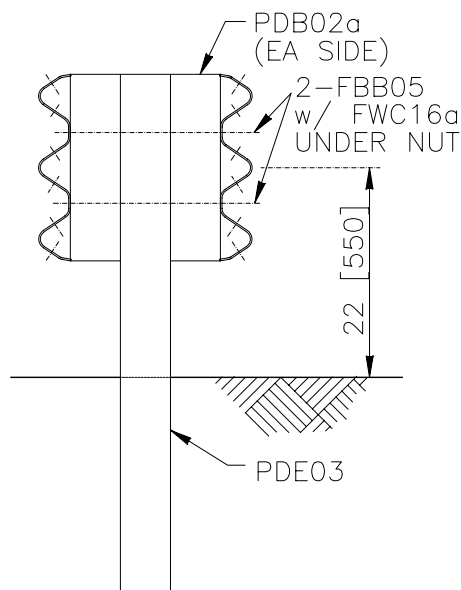


ELEVATION



SGM09a



SGM09b

1994

STRONG-POST THRIE-BEAM MEDIAN BARRIER

SGM09a-b

SHEET NO.	DATE:
1 of 4	10/12/05

### INTENDED USE

Strong-post thrie-beam median barriers should be used in locations where a maximum dynamic deflection of 20 inches [500 mm] is acceptable. Thrie-beam barriers can be more effective than W-beam barriers in collisions with larger vehicles. This barrier system must be properly anchored and terminated. Any common W-beam terminal can be used in conjunction with an STG01 W-beam-to-thrie-beam transition to provide a crashworthy terminal and anchorage.

SGM-09a (steel posts) and SGM09b (wood posts) with either PDB02a-b wood blockouts or approved composite blockouts are Test Level 3 barriers.

### COMPONENTS

Unit length = 150 inches [3810 mm]

Designator	Component	System	Number
FBB01	Splice bolt and nut	a,b	24
FBB03	Rail-blockout bolt and nut	a	8
FBB05	Rail-blockout bolt and nut	b	4
FWC16a	Round washer	a,b	8,4
PDB02a	Timber post blockout	b	4
PDB02b	Timber post blockout	a	4
PDE03	Timber guardrail post	b	2
PWE03	Steel guardrail post	a	2
RTM02a	Thrie-beam rail	a,b	2

### APPROVALS

FHWA Acceptance Letter [B-64](#), 2/14/00.

### REFERENCES

D.L. Ivey, R.R. Robertson and C.E. Buth, *Test and Evaluation of W-Beam and Thrie-Beam Guardrails*, Federal Highway Administration, FHWA-RD-82-071, Washington, D.C., 1986.

C.E. Buth, W.L. Campise, L.I. Griffin, M.L. Love, and D.L. Sicking, *Performance Limits of Longitudinal Barriers*, Federal Highway Administration, Report No. FHWA-RD-86-153 (vol. 1), Washington, D.C., May 1986.

M.E. Bronstad, J.D. Michie, J.D. Viner, and W.E. Behm, *Crash Test Evaluation of the Thrie Beam Traffic Barrier*, Highway Research Record, Highway Research Board, 1974.

## STRONG-POST THRIE-BEAM MEDIAN BARRIER

**SGM09a-b**

SHEET NO.

DATE

2 of 4

10/13/2005

STRONG-POST THRIE-BEAM MEDIAN BARRIER

SGM09a-b

SHEET NO.

DATE:

3 of 4

10/12/2005

**CONTACT INFORMATION**  
Federal Highway Administration  
Office of Safety  
400 Seventh Street, SW  
Washington, DC 20590  
202-366-2288  
[safety.fhwa.dot.gov](http://safety.fhwa.dot.gov)

**STRONG-POST THRIE-BEAM MEDIAN BARRIER**

**SGM09a-b**

<b>SGM09a-b</b>		
SHEET NO.	DATE	
4 of 4	10/13/2005	